

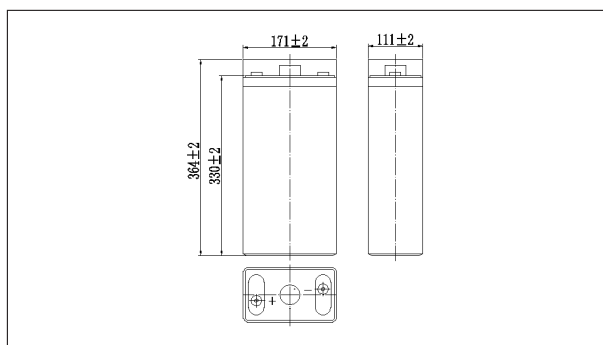
NPG2-200Ah 2V200Ah



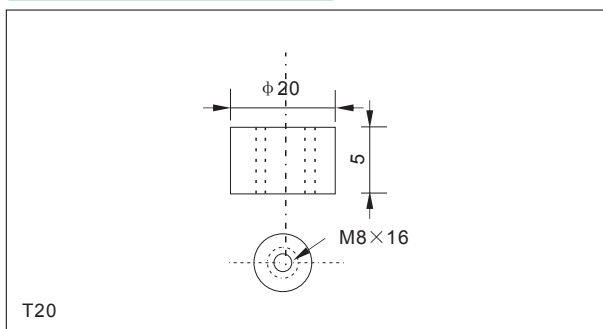
Specifications

Nominal Voltage	2V	
Rated capacity (10 hour rate)	200Ah	
Dimensions	Length	171±2mm(6.73inch)
	Width	111±2mm(4.37inch)
	Height	330±2mm(12.99inch)
	Total Height	364±2mm(14.33inch)
Approx. Weight	14kg(30.9lbs)±3%	

Outer dimensions (mm)



Terminal Type (mm)



Characteristics

Capacity (25°C)	10HR(1.8V)	200Ah
	3HR(1.80V)	150Ah
	1HR(1.75V)	110Ah
Terminal type		T20
Internal resistance (Fully charged, 25°C)		Approx.0.95m Ω
Capacity affected by temperature (10HR)	40°C	102%
	25°C	100%
	0°C	85%
	-15°C	65%
Self-discharge (25°C)	3 months	Remaining Capacity:91%
	6 months	Remaining Capacity:82%
	12 months	Remaining Capacity:65%
Nominal operating temperature		25°C ±3°C(77°F ±5°F)
Operating temperature range	Discharge	-15°C~50°C(5°F~122°F)
	Charge	-10°C~50°C(14°F~122°F)
	Storage	-20°C~50°C(-4°F~122°F)
Float charging voltage(25°C)		2.25 to 2.30V Temperature compensation: -3mV/°C
Cyclic charging voltage(25°C)		2.40 to 2.45V Temperature compensation: -5mV/°C
Maximum charging current		40A
Maximum discharge current		1500A(5 sec.)
Designed floating life(20°C)		18 years

Construction

Component	Positive plate	Negative plate	Container	Cover	Separator	Electrolyte	Safety valve	Terminal
Raw material	Lead dioxide	Lead	ABS	ABS	AGM	Gel	Rubber	Copper

Constant Current Discharge Characteristics Unit:A(25°C,77°F)

F.V/Time	15min	30min	60min	2h	3h	4h	5h	6h	8h	10h	20h
1.60V	250	174	120	72.1	52.2	41.2	34.3	30.2	24.1	20.4	10.7
1.65V	244	171	118	71.6	51.9	41.0	34.1	30.0	23.9	20.3	10.7
1.70V	235	165	114	71.0	51.6	40.7	33.8	29.8	23.8	20.3	10.6
1.75V	227	161	112	69.9	51.2	40.4	33.6	29.6	23.6	20.1	10.6
1.80V	215	155	108	68.2	50.2	39.2	32.6	28.7	22.9	20.0	10.5

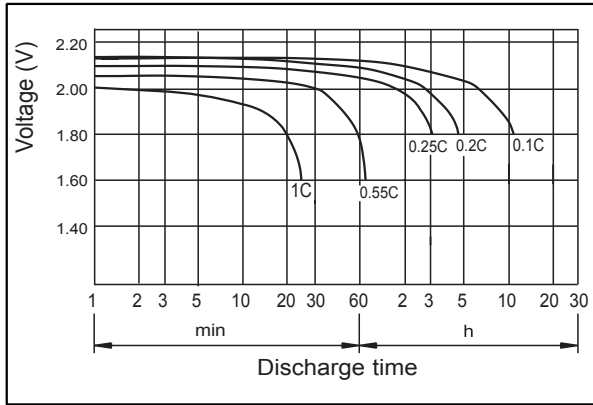
Constant Power Discharge Characteristics Unit:W(25°C,77°F)

F.V/Time	15min	30min	60min	2h	3h	4h	5h	6h	8h	10h	20h
1.60V	458	325	228	139	102	80.8	67.5	59.5	47.9	40.5	21.4
1.65V	447	319	223	138	102	80.3	67.1	59.1	47.6	40.4	21.3
1.70V	430	309	217	137	101	79.7	66.7	58.7	47.3	40.3	21.3
1.75V	415	302	212	135	100	79.2	66.2	58.3	47.0	40.1	21.1
1.80V	393	291	205	132	98.3	76.8	64.2	56.6	45.6	39.8	21.0

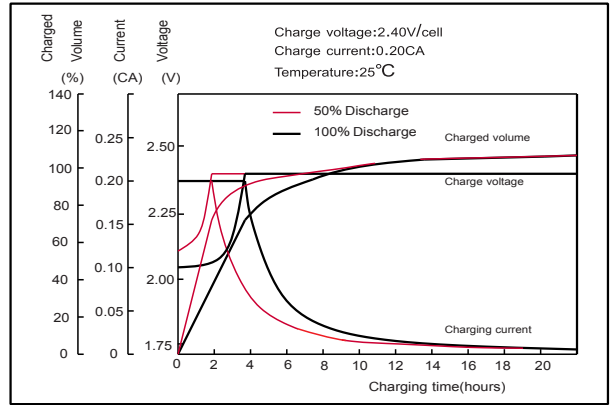
Note: The above characteristics data can be obtained within three charge or discharge cycles.

NPG2-200Ah 2V200Ah

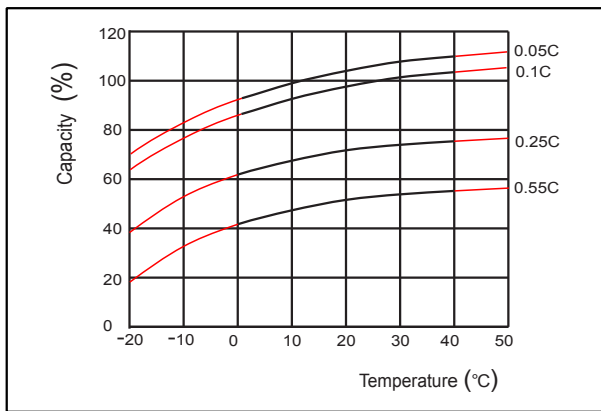
Discharge characteristics(25°C)



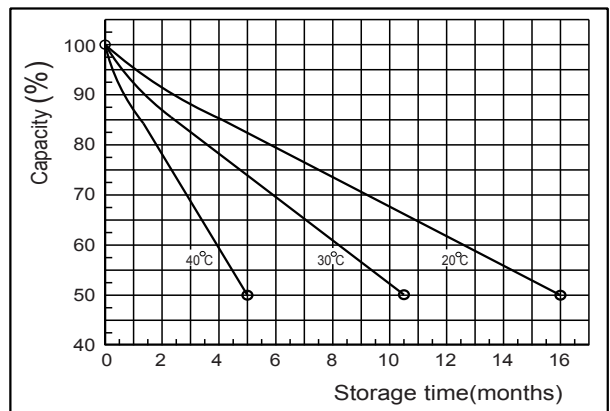
Charging characteristics



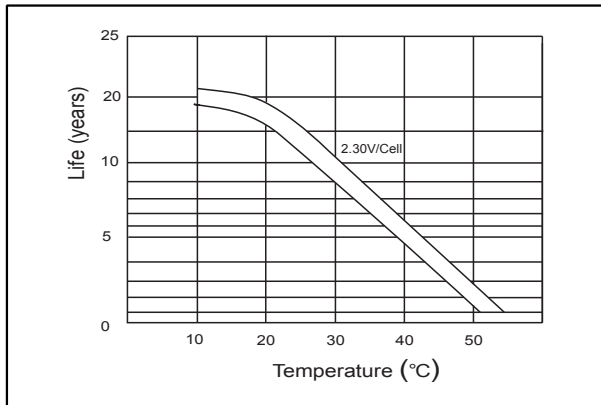
Effect of Temperature on Capacity



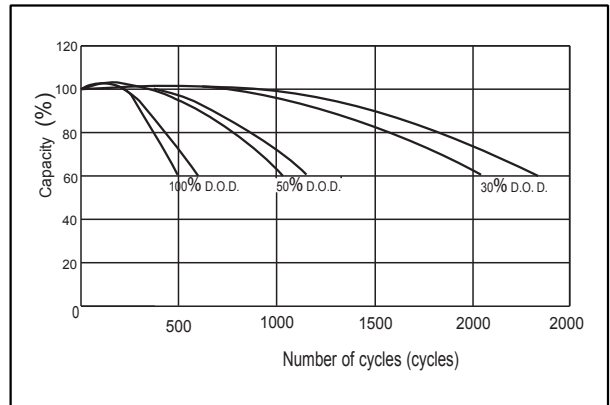
Self-discharge characteristics



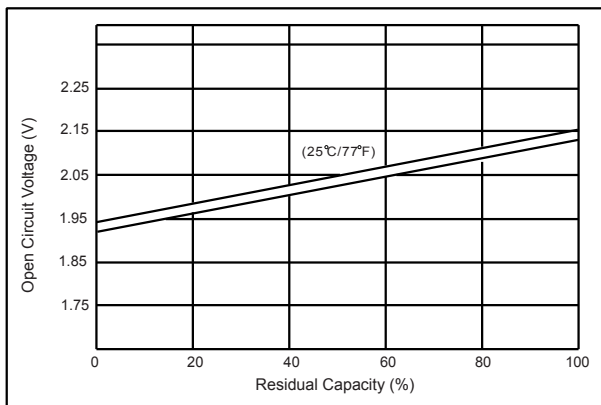
Temperature effects on float life



Cycle service life in relation to depth of discharge



The relationship for OCV and Capacity (25°C)



The relationship for Charging voltage and Temperature

