



3-EVF-170

EVF SERIES BATTERY

[FEATURES]

1. The grid is made of lead-calcium alloy, it doesn't contain cadmium which is harmful to the environment and human body.
2. It adopts special lead paste technology so that batteries are under good deep cycle discharge performance.
3. Using special electrolyte additives and separators of high adsorption capacity, the battery shows excellent high-current discharge performance. There are obvious advantages in vehicle starting and climbing .
4. It adopts high-strength ABS engineering plastic shell, make it high impact resistance.
5. Sealed and maintenance-free technology, the battery does not need to add acid and hydration during use, Safe and reliable.

[APPLICATIONS]

1. Golf carts/Tourist cars
2. Electric Bike/ Patrol cars
3. Electric vehicles, tractor, various power tools



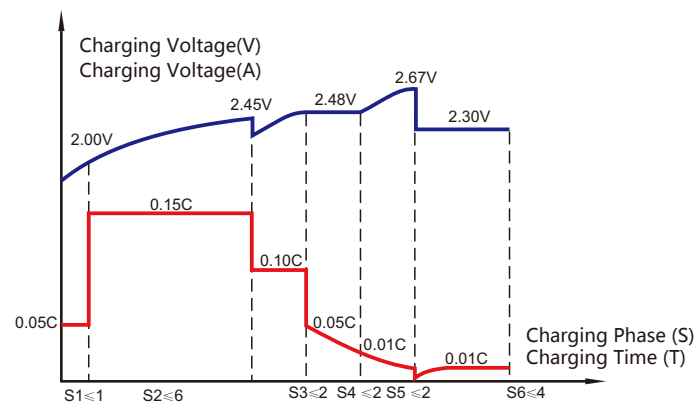
[SPECIFICATIONS]

MODEL	3hr CAPACITY (Ah)	5hr CAPACITY (Ah)	20hr CAPACITY (Ah)	VOLTAGE (V)	DIMENSION				GROSS WEIGHT (Kg)	TERMINALS DIMENSION
					LENGTH	WIDTH	HEIGHT	TOTAL HEIGHT		
3-EVF-170	170	195	250	6	260	180	245	252	30	M8* Φ20 *5

[CHARGING CHARACTERISTICS]

Charging Mode	Charging Current (A)	Charging Voltage (V)	Charging Time (h)	Notes
Constant Current	9	6	≅ 1	Voltage up to 6V or Charging time up to 1H
Constant Current	26	7.35	≅ 6	Voltage up to 7.35V or Charging time up to 6H
Constant Current	17	7.45	≅ 2	Voltage up to 7.45V or Charging time up to 2H
Constant Voltage	9	7.45	≅ 2	Voltage up to 7.45V or Charging time up to 2H
Constant Voltage	1.7	8.01	≅ 2	Charging time up to 2H
Constant Voltage	1.7	6.9	≅ 4	Charging time up to 4H

[CHARGING CHARACTERISTICS]



Note: The charging voltage values listed in the table are the voltages of a single battery at a standard temperature of 25 °C
The temperature compensation coefficient is ±3mV/°C



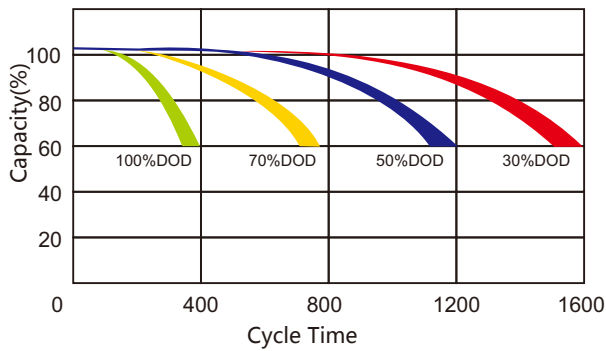
YINGDE AOKLY POWER CO., LTD
 FACTORY: Huaqiao Industrial Zone, Donghua Town, Yingde City,
 Guangdong Province, China
<http://www.aokly-battery.com>

Aokly Power Driving The Bright Future

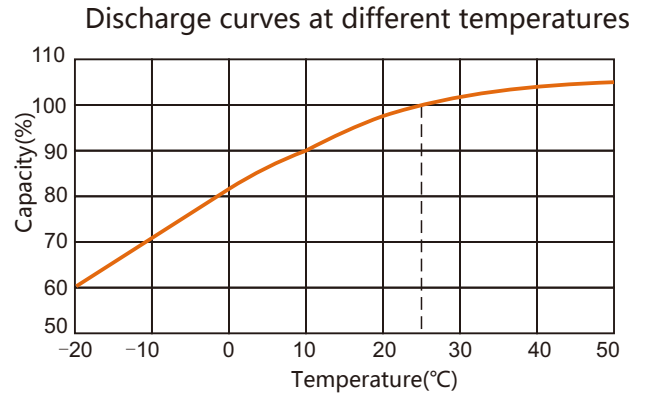
3-EVF-170

EVF SERIES BATTERY

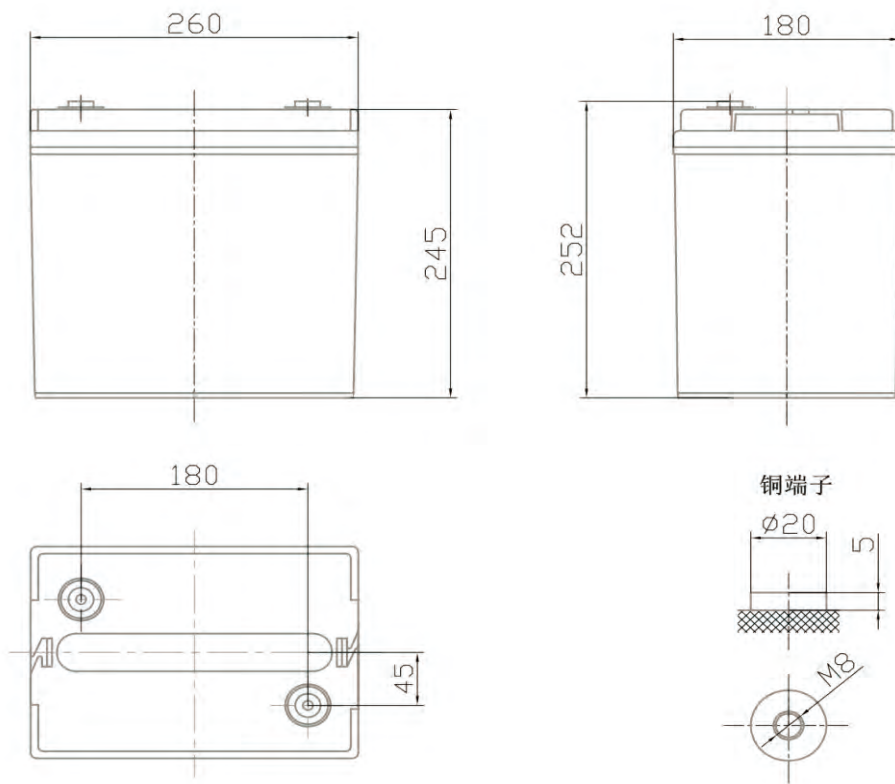
[LIFESPAN CURVES]



[DISCHARGE CHARACTERISTICS]



[DIMENSION]



Battery Dimension
terminal size





3-EVF-200

EVF SERIES BATTERY

[FEATURES]

1. The grid is made of lead-calcium alloy, it doesn't contain cadmium which is harmful to the environment and human body.
2. It adopts special lead paste technology so that batteries are under good deep cycle discharge performance.
3. Using special electrolyte additives and separators of high adsorption capacity, the battery shows excellent high-current discharge performance. There are obvious advantages in vehicle starting and climbing.
4. It adopts high-strength ABS engineering plastic shell, make it high impact resistance.
5. Sealed and maintenance-free technology, the battery does not need to add acid and hydration during use, Safe and reliable.

[APPLICATIONS]

1. Golf carts/Tourist cars
2. Electric Bike/ Patrol cars
3. Electric vehicles, tractor, various power tools

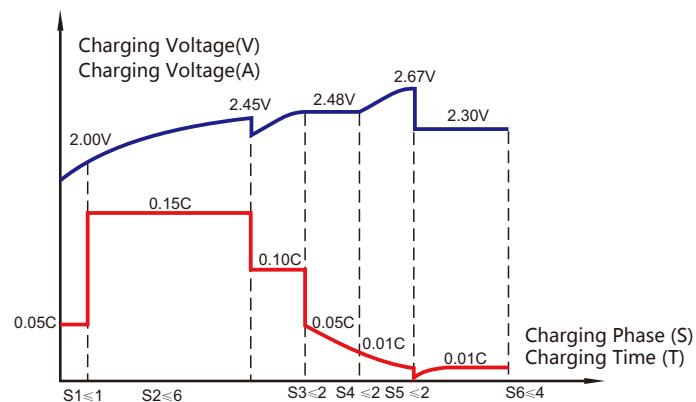


[SPECIFICATIONS]

MODEL	3hr CAPACITY (Ah)	5hr CAPACITY (Ah)	20hr CAPACITY (Ah)	VOLTAGE (V)	DIMENSION				GROSS WEIGHT (Kg)	TERMINALS DIMENSION
					LENGTH	WIDTH	HEIGHT	TOTAL HEIGHT		
3-EVF-200	200	230	295	6	260	180	270	276	36	M8* Φ20 *5

[CHARGING CHARACTERISTICS]

Charging Mode	Current (A)	Voltage (V)	Time (h)	Notes
Constant Current	10	6	≅1	Voltage up to 6V or Charging time up to 1H
Constant Current	30	7.35	≅6	Voltage up to 7.35V or Charging time up to 6H
Constant Current	20	7.45	≅2	Voltage up to 7.45V or Charging time up to 2H
Constant Voltage	10	7.45	≅2	Voltage up to 7.45V or Charging time up to 2H
Constant Voltage	2	8.01	≅2	Charging time up to 2H
Constant Voltage	2	6.9	≅4	Charging time up to 4H



Note: The charging voltage values listed in the table are the voltages of a single battery at a standard temperature of 25 °C
The temperature compensation coefficient is ±3mV/°C



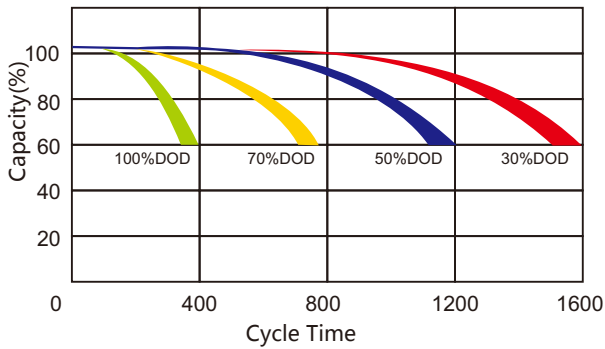
YINGDE AOKLY POWER CO., LTD
FACTORY: Huaqiao Industrial Zone, Donghua Town, Yingde City,
Guangdong Province, China
<http://www.aokly-battery.com>

Aokly Power Driving The Bright Future

3-EVF-200

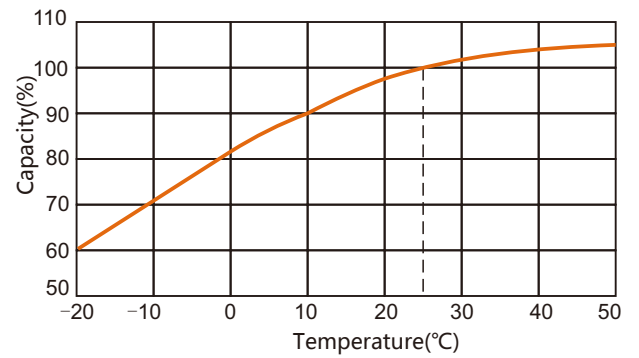
EVF SERIES BATTERY

[LIFESPAN CURVES]

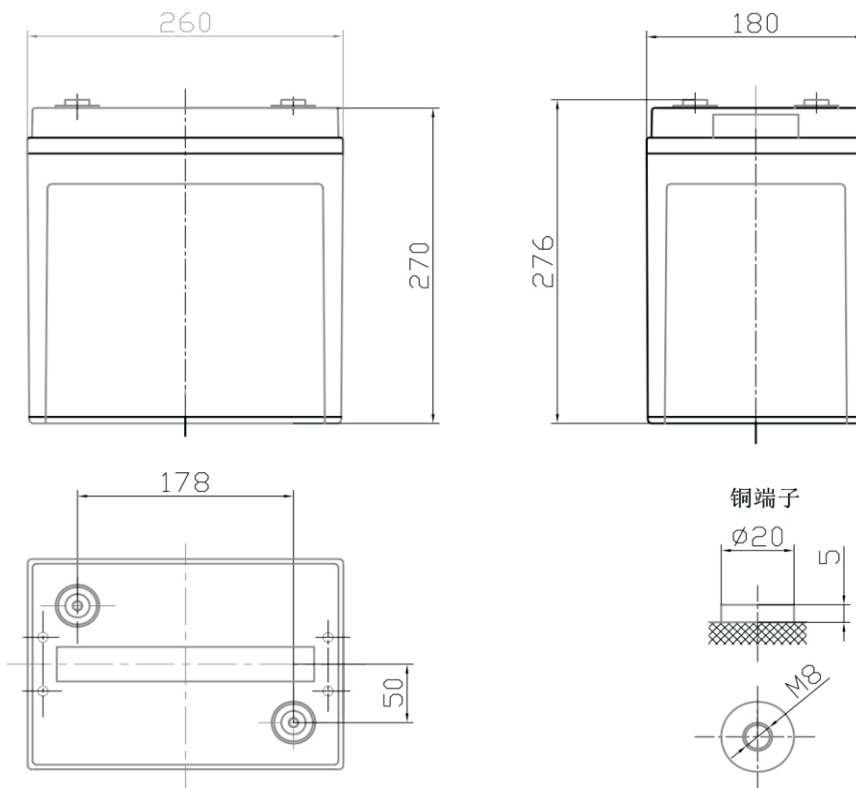


[DISCHARGE CHARACTERISTICS]

Discharge curves at different temperatures



[DIMENSION]



Battery Dimension
terminal size



YINGDE AOKLY POWER CO., LTD

FACTORY: Huaqiao Industrial Zone, Donghua Town, Yingde City,
Guangdong Province, China
<http://www.aokly-battery.com>

Aokly Power Driving The Bright Future



3-EVF-300

EVF SERIES BATTERY

[FEATURES]

1. The grid is made of lead-calcium alloy, it doesn't contain cadmium which is harmful to the environment and human body.
2. It adopts special lead paste technology so that batteries are under good deep cycle discharge performance.
3. Using special electrolyte additives and separators of high adsorption capacity, the battery shows excellent high-current discharge performance. There are obvious advantages in vehicle starting and climbing .
4. It adopts high-strength ABS engineering plastic shell, make it high impact resistance.
5. Sealed and maintenance-free technology, the battery does not need to add acid and hydration during use, Safe and reliable.

[APPLICATIONS]

1. Golf carts/Tourist cars
2. Electric Bike/ Patrol cars
3. Electric vehicles, tractor, various power tools

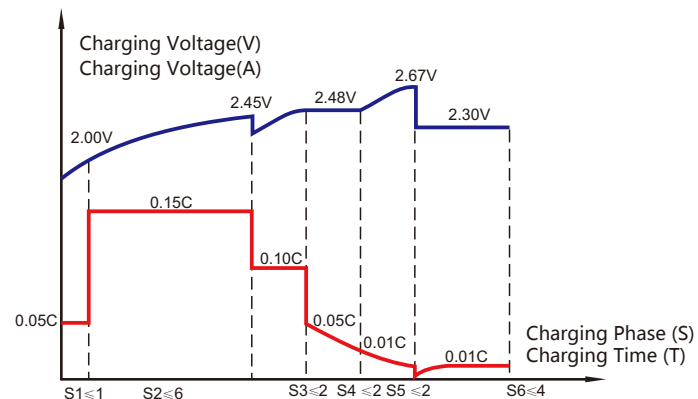


[SPECIFICATIONS]

MODEL	3hr CAPACITY (Ah)	5hr CAPACITY (Ah)	20hr CAPACITY (Ah)	VOLTAGE (V)	DIMENSION				GROSS WEIGHT (Kg)	TERMINALS DIMENSION
					LENGTH	WIDTH	HEIGHT	TOTAL HEIGHT		
3-EVF-300	300	344	440	6	295	178	346	351	54	M8* Φ20 *5

[CHARGING CHARACTERISTICS]

Charging Mode	Charging Current (A)	Charging Voltage (V)	Charging Time (h)	Notes
Constant Current	15	6	≈ 1	Voltage up to 6V or Charging time up to 1H
Constant Current	45	7.35	≈ 6	Voltage up to 7.35V or Charging time up to 6H
Constant Current	30	7.45	≈ 2	Voltage up to 7.45V or Charging time up to 2H
Constant Voltage	15	7.45	≈ 2	Voltage up to 7.45V or Charging time up to 2H
Constant Voltage	≤3	8.01	≈ 2	Charging time up to 2H
Constant Voltage	≤3	6.9	≈ 4	Charging time up to 4H



Note: The charging voltage values listed in the table are the voltages of a single battery at a standard temperature of 25 °C
The temperature compensation coefficient is ±3mV/°C



YINGDE AOKLY POWER CO., LTD
 FACTORY: Huaqiao Industrial Zone, Donghua Town, Yingde City,
 Guangdong Province, China
<http://www.aokly-battery.com>

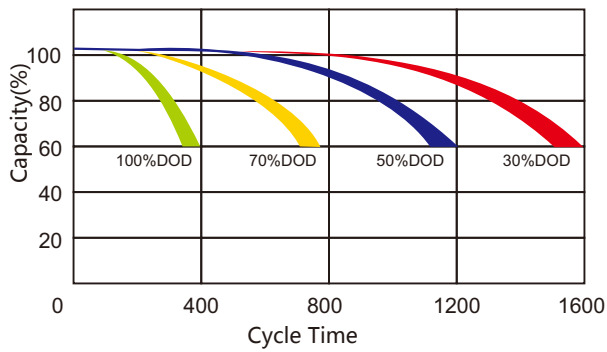
Aokly Power Driving The Bright Future



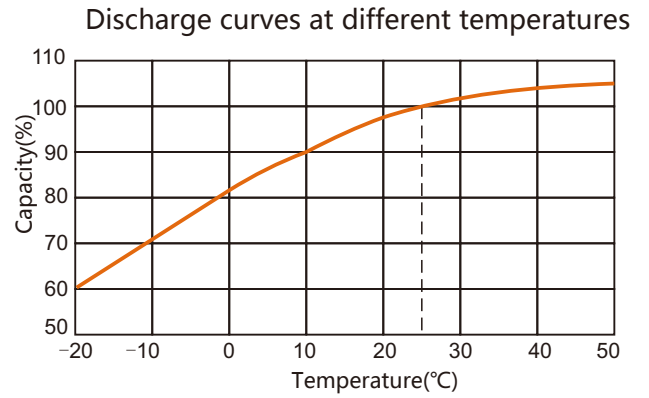
3-EVF-300

EVF SERIES BATTERY

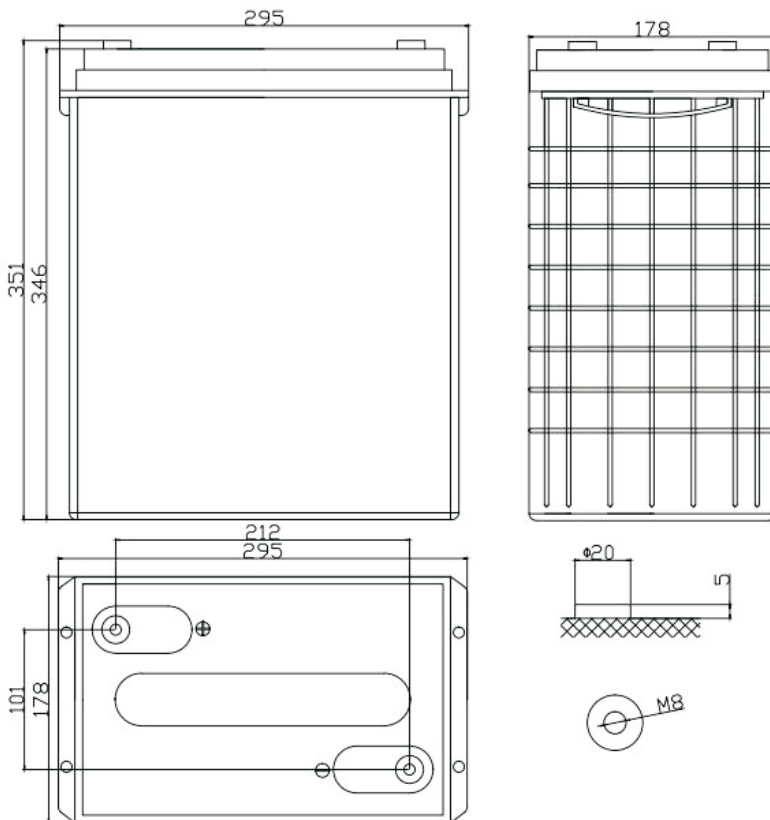
[LIFESPAN CURVES]



[DISCHARGE CHARACTERISTICS]



[DIMENSION]



Battery Dimension
terminal size



YINGDE AOKLY POWER CO., LTD
FACTORY: Huaqiao Industrial Zone, Donghua Town, Yingde City,
Guangdong Province, China
<http://www.aokly-battery.com>

Aokly Power Driving The Bright Future



4-EVF-150

EVF SERIES BATTERY

[FEATURES]

1. The grid is made of lead-calcium alloy, it doesn't contain cadmium which is harmful to the environment and human body.
2. It adopts special lead paste technology so that batteries are under good deep cycle discharge performance.
3. Using special electrolyte additives and separators of high adsorption capacity, the battery shows excellent high-current discharge performance. There are obvious advantages in vehicle starting and climbing.
4. It adopts high-strength ABS engineering plastic shell, make it high impact resistance.
5. Sealed and maintenance-free technology, the battery does not need to add acid and hydration during use, Safe and reliable.

[APPLICATIONS]

1. Golf carts/Tourist cars
2. Electric Bike/ Patrol cars
3. Electric vehicles, tractor, various power tools



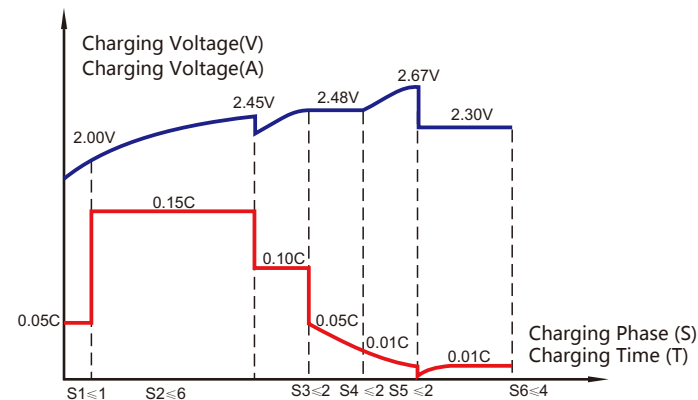
[SPECIFICATIONS]

MODEL	3hr CAPACITY (Ah)	5hr CAPACITY (Ah)	20hr CAPACITY (Ah)	VOLTAGE (V)	DIMENSION				GROSS WEIGHT (Kg)	TERMINALS DIMENSION
					LENGTH	WIDTH	HEIGHT	TOTAL HEIGHT		
4-EVF-150	150	170	195	8	260	180	280	283	37.6	M8*Φ20*5

[CHARGING CHARACTERISTICS]

Charging Mode	Charging Current (A)	Charging Voltage (V)	Charging Time (h)	Notes
Constant Current	8	8.0	≅ 1	Voltage up to 8V or Charging time up to 1H
Constant Current	23	9.8	≅ 6	Voltage up to 9.8V or Charging time up to 6H
Constant Current	15	9.92	≅ 2	Voltage up to 9.92V or Charging time up to 2H
Constant Voltage	8	9.92	≅ 2	Voltage up to 9.92V or Charging time up to 2H
Constant Voltage	1.5	10.68	≅ 2	Charging time up to 2H
Constant Voltage	1.5	9.20	≅ 4	Charging time up to 4H

[CHARGING CHARACTERISTICS]



Note: The charging voltage values listed in the table are the voltages of a single battery at a standard temperature of 25 °C
The temperature compensation coefficient is ±3mV/°C



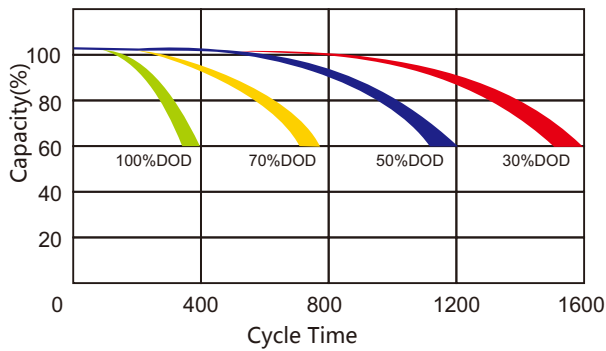
YINGDE AOKLY POWER CO., LTD
 FACTORY: Huaqiao Industrial Zone, Donghua Town, Yingde City,
 Guangdong Province, China
<http://www.aokly-battery.com>

Aokly Power Driving The Bright Future

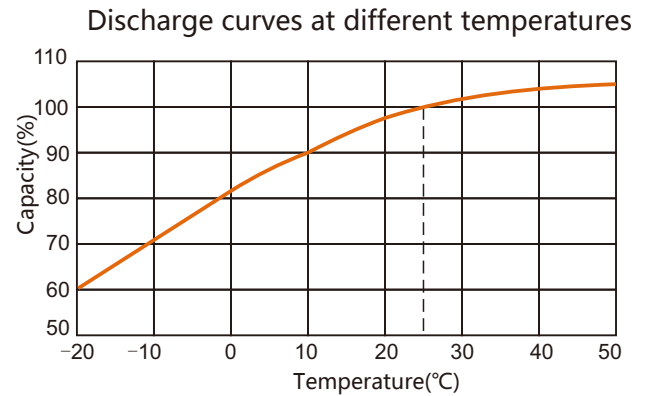
4-EVF-150

EVF SERIES BATTERY

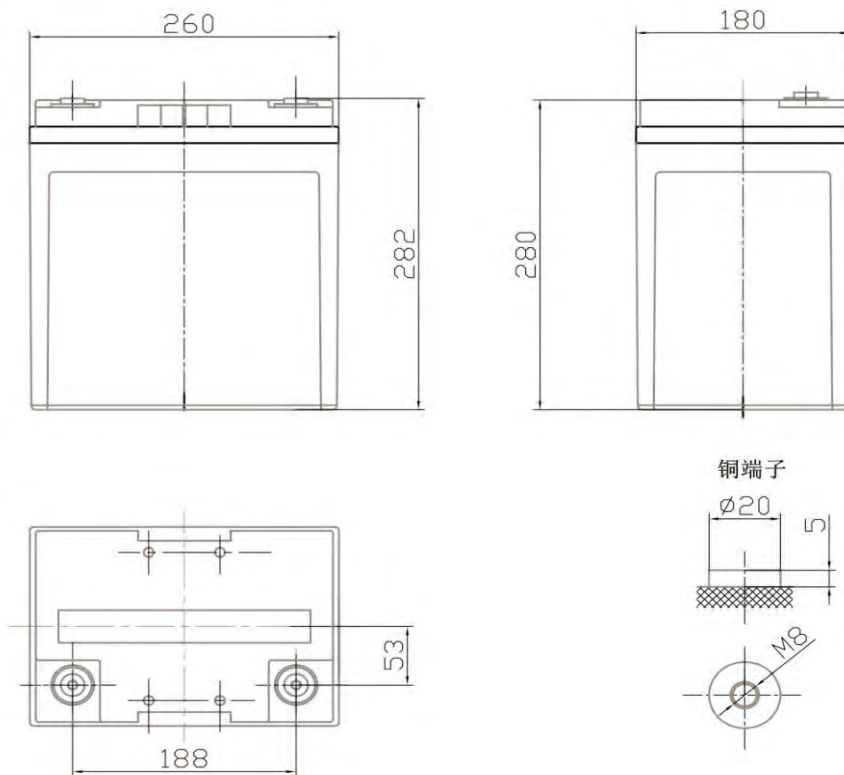
[LIFESPAN CURVES]



[DISCHARGE CHARACTERISTICS]



[DIMENSION]



Battery Dimension
terminal size





6-EVF-70

EVF SERIES BATTERY

[FEATURES]

1. The grid is made of lead-calcium alloy, it doesn't contain cadmium which is harmful to the environment and human body.
2. It adopts special lead paste technology so that batteries are under good deep cycle discharge performance.
3. Using special electrolyte additives and separators of high adsorption capacity, the battery shows excellent high-current discharge performance. There are obvious advantages in vehicle starting and climbing .
4. It adopts high-strength ABS engineering plastic shell, make it high impact resistance.
5. Sealed and maintenance-free technology, the battery does not need to add acid and hydration during use, Safe and reliable.

[APPLICATIONS]

1. Golf carts/Tourist cars
2. Electric Bike/ Patrol cars
3. Electric vehicles, tractor, various power tools



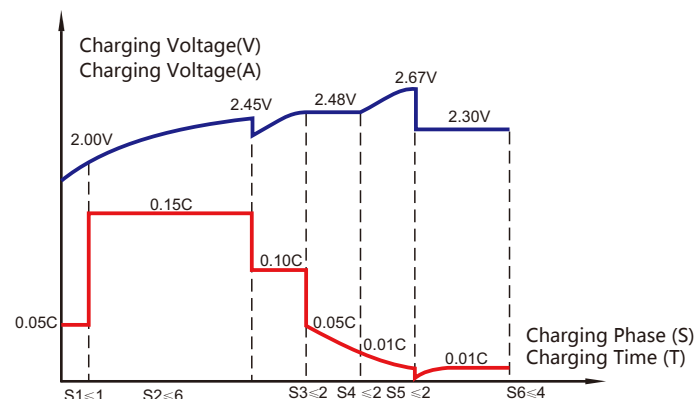
[SPECIFICATIONS]

MODEL	3hr CAPACITY (Ah)	5hr CAPACITY (Ah)	20hr CAPACITY (Ah)	VOLTAGE (V)	DIMENSION				GROSS WEIGHT (Kg)	TERMINALS DIMENSION
					LENGTH	WIDTH	HEIGHT	TOTAL HEIGHT		
6-EVF-70	70	85	103	12	260	168	210	213	25.8	M6*Φ16*5

[CHARGING CHARACTERISTICS]

Charging Mode	Charging Current (A)	Charging Voltage (V)	Charging Time (h)	Notes
Constant Current	3	12	≈1	Voltage up to 12V or Charging time up to 1H
Constant Current	10.5	14.7	≈6	Voltage up to 14.7V or Charging time up to 6H
Constant Current	7	14.9	≈2	Voltage up to 14.9V or Charging time up to 2H
Constant Voltage	3.5	14.9	≈2	Voltage up to 14.9V or Charging time up to 2H
Constant Voltage	0.7	16.02	≈2	Charging time up to 2H
Constant Voltage	0.7	13.8	≈4	Charging time up to 4H

[CHARGING CHARACTERISTICS]



Note: The charging voltage values listed in the table are the voltages of a single battery at a standard temperature of 25 °C
The temperature compensation coefficient is ±3mV/°C



YINGDE AOKLY POWER CO., LTD
 FACTORY: Huaqiao Industrial Zone, Donghua Town, Yingde City,
 Guangdong Province, China
<http://www.aokly-battery.com>

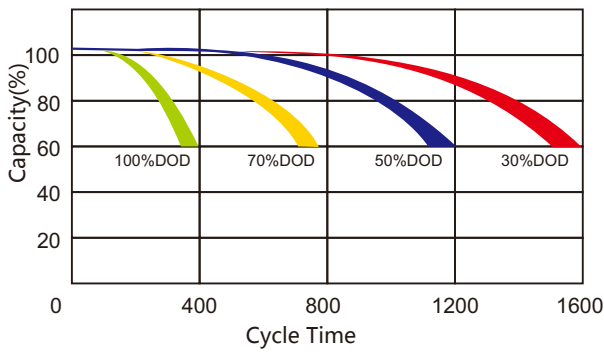
Aokly Power Driving The Bright Future



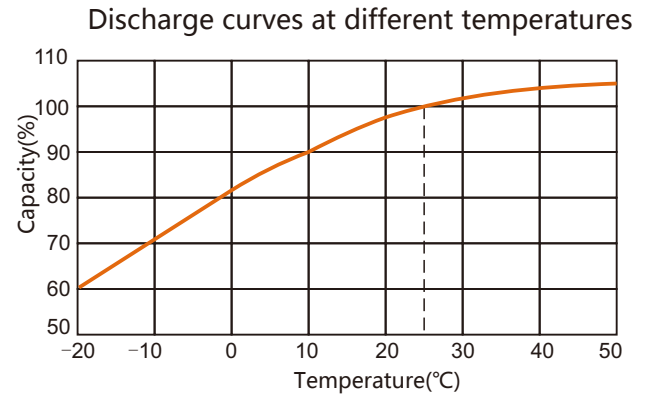
6-EVF-70

EVF SERIES BATTERY

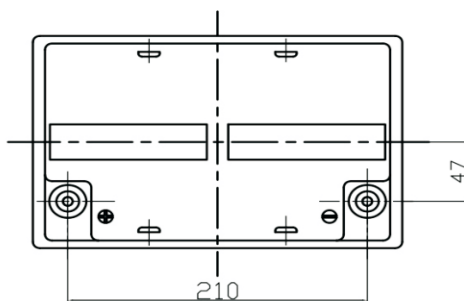
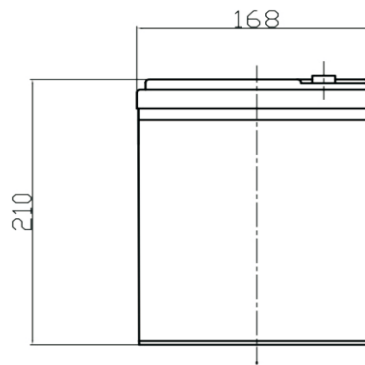
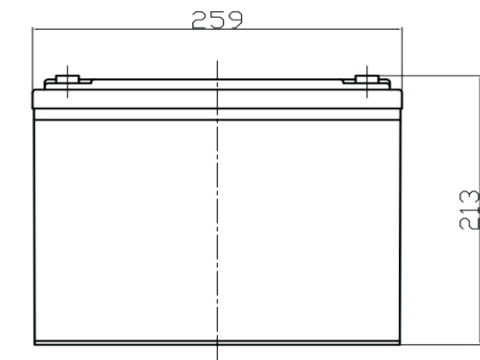
[LIFESPAN CURVES]



[DISCHARGE CHARACTERISTICS]

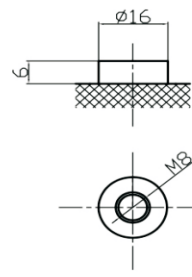


[DIMENSION]



铜端子

Battery Dimension terminal size



YINGDE AOKLY POWER CO., LTD

FACTORY: Huaqiao Industrial Zone, Donghua Town, Yingde City,
Guangdong Province, China
<http://www.aokly-battery.com>

Aokly Power Driving The Bright Future



6-EVF-100

EVF SERIES BATTERY

[FEATURES]

1. The grid is made of lead-calcium alloy, it doesn't contain cadmium which is harmful to the environment and human body.
2. It adopts special lead paste technology so that batteries are under good deep cycle discharge performance.
3. Using special electrolyte additives and separators of high adsorption capacity, the battery shows excellent high-current discharge performance. There are obvious advantages in vehicle starting and climbing .
4. It adopts high-strength ABS engineering plastic shell, make it high impact resistance.
5. Sealed and maintenance-free technology, the battery does not need to add acid and hydration during use, Safe and reliable.

[APPLICATIONS]

1. Golf carts/Tourist cars
2. Electric Bike/ Patrol cars
3. Electric vehicles, tractor, various power tools



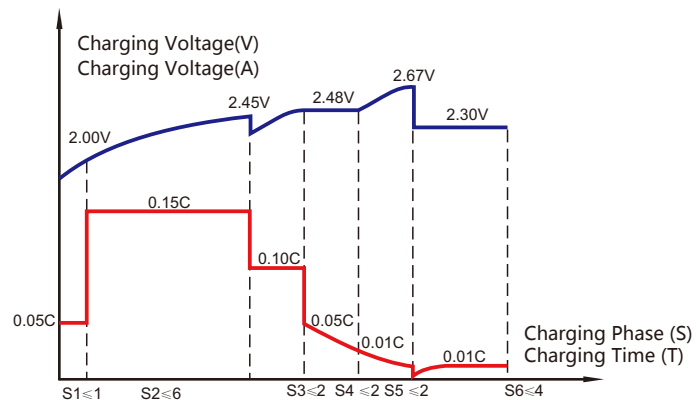
[SPECIFICATIONS]

MODEL	3hr CAPACITY (Ah)	5hr CAPACITY (Ah)	20hr CAPACITY (Ah)	VOLTAGE (V)	DIMENSION				GROSS WEIGHT (Kg)	TERMINALS DIMENSION
					LENGTH	WIDTH	HEIGHT	TOTAL HEIGHT		
6-EVF-100	100	115	147	12	332	174	216	224	35	M8* Φ20 *5

[CHARGING CHARACTERISTICS]

Charging Mode	Charging Current (A)	Charging Voltage (V)	Charging Time (h)	Notes
Constant Current	5	12	≈ 1	Voltage up to 12V or Charging time up to 1H
Constant Current	15	14.7	≈ 6	Voltage up to 14.7V or Charging time up to 6H
Constant Current	10	14.9	≈ 2	Voltage up to 14.9V or Charging time up to 2H
Constant Voltage	5	14.9	≈ 2	Voltage up to 14.9V or Charging time up to 2H
Constant Voltage	1.0	16.02	≈ 2	Charging time up to 2H
Constant Voltage	1.0	13.8	≈ 4	Charging time up to 4H

[CHARGING CHARACTERISTICS]



Note: The charging voltage values listed in the table are the voltages of a single battery at a standard temperature of 25 °C
The temperature compensation coefficient is ±3mV/°C



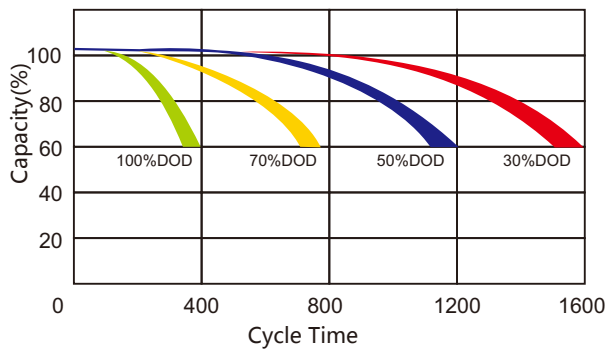
YINGDE AOKLY POWER CO., LTD
 FACTORY: Huaqiao Industrial Zone, Donghua Town, Yingde City,
 Guangdong Province, China
<http://www.aokly-battery.com>

Aokly Power Driving The Bright Future

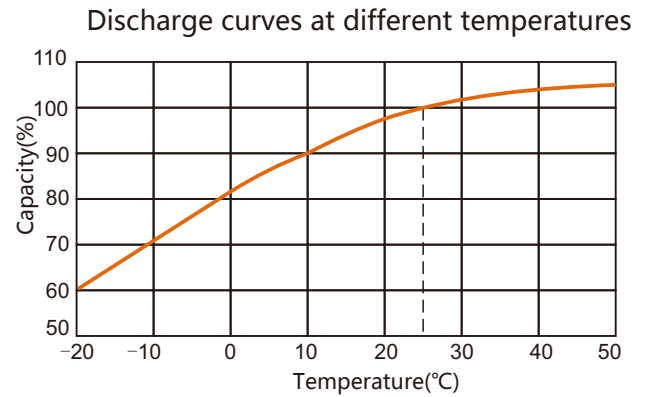
6-EVF-100

EVF SERIES BATTERY

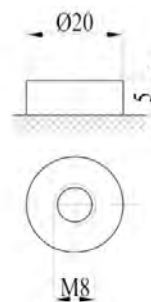
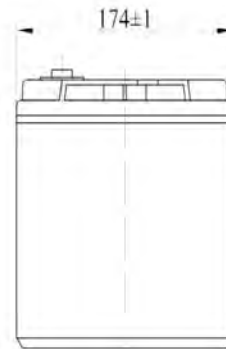
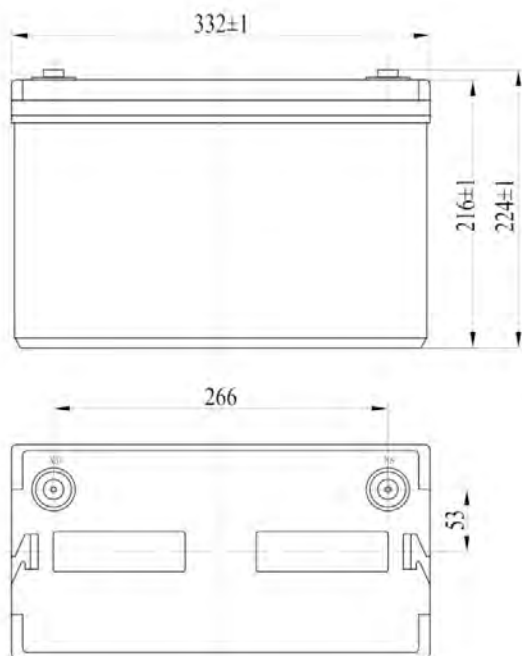
[LIFESPAN CURVES]



[DISCHARGE CHARACTERISTICS]



[DIMENSION]



Battery Dimension
terminal size





6-EVF-120

EVF SERIES BATTERY

[FEATURES]

1. The grid is made of lead-calcium alloy, it doesn't contain cadmium which is harmful to the environment and human body.
2. It adopts special lead paste technology so that batteries are under good deep cycle discharge performance.
3. Using special electrolyte additives and separators of high adsorption capacity, the battery shows excellent high-current discharge performance. There are obvious advantages in vehicle starting and climbing .
4. It adopts high-strength ABS engineering plastic shell, make it high impact resistance.
5. Sealed and maintenance-free technology, the battery does not need to add acid and hydration during use, Safe and reliable.

[APPLICATIONS]

1. Golf carts/Tourist cars
2. Electric Bike/ Patrol cars
3. Electric vehicles, tractor, various power tools

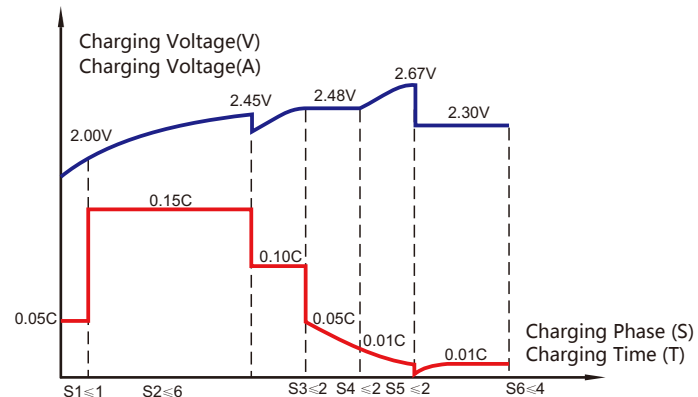


[SPECIFICATIONS]

MODEL	3hr CAPACITY (Ah)	5hr CAPACITY (Ah)	20hr CAPACITY (Ah)	VOLTAGE (V)	DIMENSION				GROSS WEIGHT (Kg)	TERMINALS DIMENSION
					LENGTH	WIDTH	HEIGHT	TOTAL HEIGHT		
6-EVF-120	120	135	175	12	405	167	240	240	42.1	M8*Φ20*5

[CHARGING CHARACTERISTICS]

Charging Mode	Charging Current (A)	Charging Voltage (V)	Charging Time (h)	Notes
Constant Current	6	12	≅ 1	Voltage up to 12V or Charging time up to 1H
Constant Current	18	14.7	≅ 6	Voltage up to 14.7V or Charging time up to 6H
Constant Current	12	14.9	≅ 2	Voltage up to 14.9V or Charging time up to 2H
Constant Voltage	5	14.9	≅ 2	Voltage up to 14.9V or Charging time up to 2H
Constant Voltage	1.2	16.02	≅ 2	Charging time up to 2H
Constant Voltage	1.2	13.8	≅ 4	Charging time up to 4H



Note: The charging voltage values listed in the table are the voltages of a single battery at a standard temperature of 25 °C
The temperature compensation coefficient is ±3mV/°C



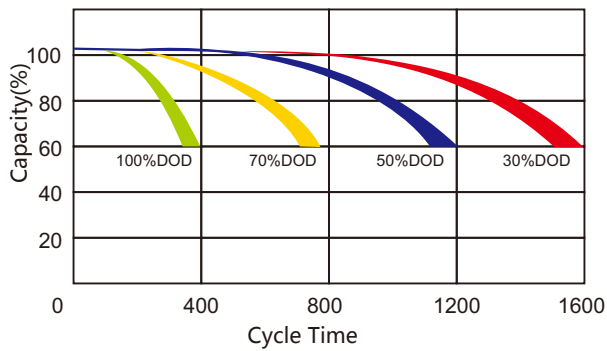
YINGDE AOKLY POWER CO., LTD
FACTORY: Huaqiao Industrial Zone, Donghua Town, Yingde City, Guangdong Province, China
<http://www.aokly-battery.com>

Aokly Power Driving The Bright Future

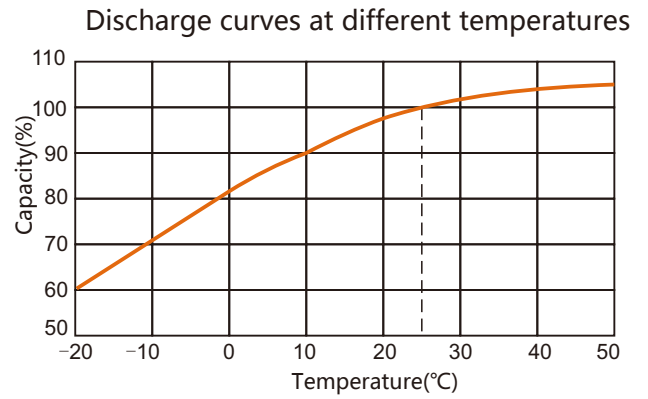
6-EVF-120

EVF SERIES BATTERY

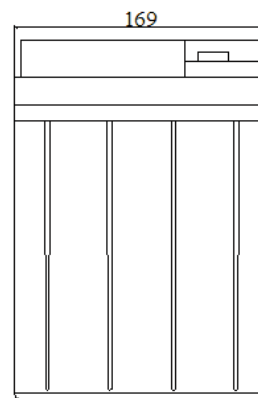
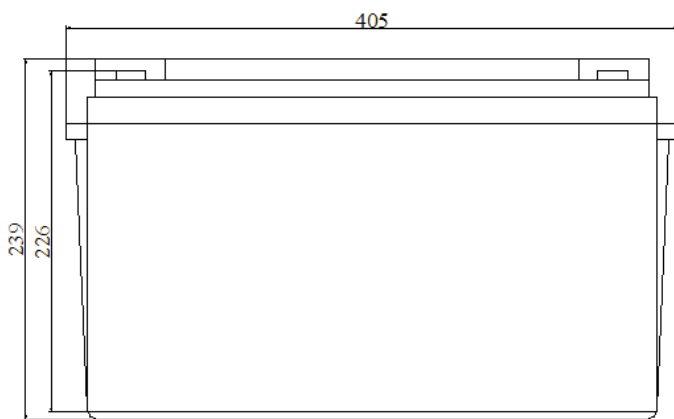
[LIFESPAN CURVES]



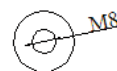
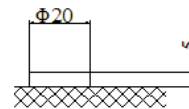
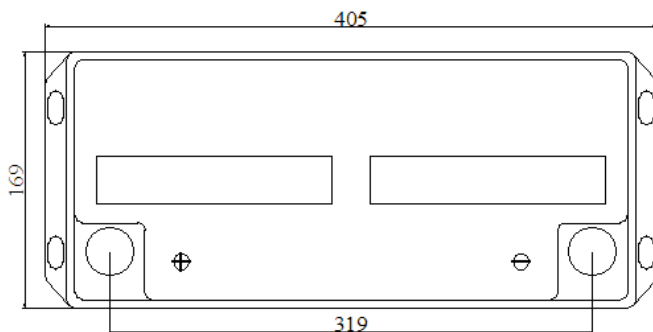
[DISCHARGE CHARACTERISTICS]



[DIMENSION]



Battery Dimension
terminal size



YINGDE AOKLY POWER CO., LTD

FACTORY: Huaqiao Industrial Zone, Donghua Town, Yingde City,
Guangdong Province, China
<http://www.aokly-battery.com>

Aokly Power Driving The Bright Future



6-EVF-150

EVF SERIES BATTERY

[FEATURES]

1. The grid is made of lead-calcium alloy, it doesn't contain cadmium which is harmful to the environment and human body.
2. It adopts special lead paste technology so that batteries are under good deep cycle discharge performance.
3. Using special electrolyte additives and separators of high adsorption capacity, the battery shows excellent high-current discharge performance. There are obvious advantages in vehicle starting and climbing .
4. It adopts high-strength ABS engineering plastic shell, make it high impact resistance.
5. Sealed and maintenance-free technology, the battery does not need to add acid and hydration during use, Safe and reliable.

[APPLICATIONS]

1. Golf carts/Tourist cars
2. Electric Bike/ Patrol cars
3. Electric vehicles, tractor, various power tools

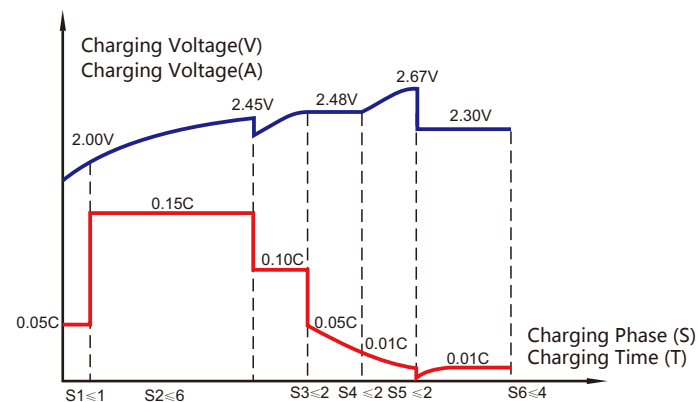


[SPECIFICATIONS]

MODEL	3hr CAPACITY (Ah)	5hr CAPACITY (Ah)	20hr CAPACITY (Ah)	VOLTAGE (V)	DIMENSION				GROSS WEIGHT (Kg)	TERMINALS DIMENSION
					LENGTH	WIDTH	HEIGHT	TOTAL HEIGHT		
6-EVF-150	150	170	220	12	481	170	240	240	52	M8* Φ20 *5

[CHARGING CHARACTERISTICS]

Charging Mode	Current (A)	Voltage (V)	Time (h)	Notes
Constant Current	7.5	12	≅ 1	Voltage up to 12V or Charging time up to 1H
Constant Current	23	14.7	≅ 6	Voltage up to 14.7V or Charging time up to 6H
Constant Current	15	14.9	≅ 2	Voltage up to 14.9V or Charging time up to 2H
Constant Voltage	7.5	14.9	≅ 2	Voltage up to 14.9V or Charging time up to 2H
Constant Voltage	1.5	16.02	≅ 2	Charging time up to 2H
Constant Voltage	1.5	13.8	≅ 4	Charging time up to 4H



Note: The charging voltage values listed in the table are the voltages of a single battery at a standard temperature of 25 °C
The temperature compensation coefficient is ±3mV/°C



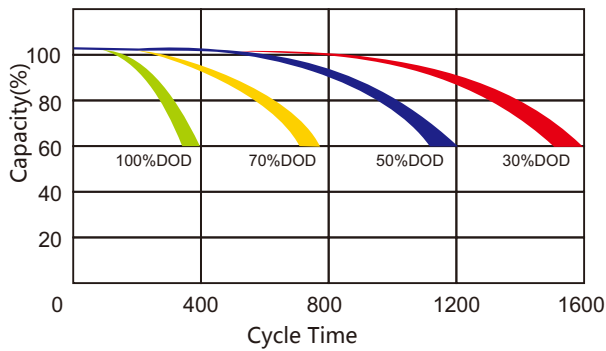
YINGDE AOKLY POWER CO., LTD
FACTORY: Huaqiao Industrial Zone, Donghua Town, Yingde City, Guangdong Province, China
http://www.aokly-battery.com

Aokly Power Driving The Bright Future

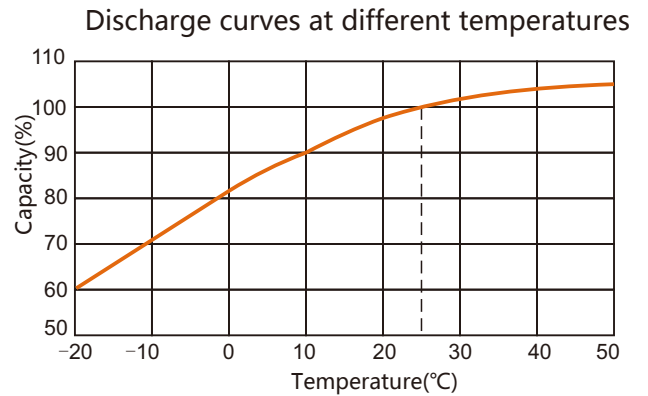
6-EVF-150

EVF SERIES BATTERY

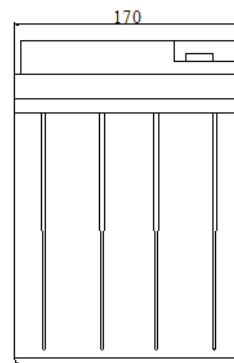
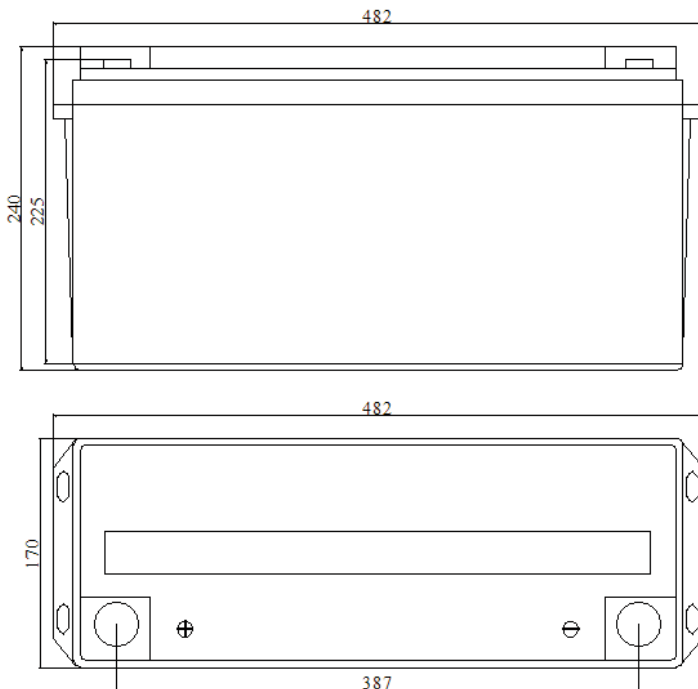
[LIFESPAN CURVES]



[DISCHARGE CHARACTERISTICS]



[DIMENSION]



Battery Dimension
terminal size

