



3-EVF-300

EVF SERIES BATTERY

[FEATURES]

1. The grid is made of lead-calcium alloy, it doesn't contain cadmium which is harmful to the environment and human body.
2. It adopts special lead paste technology so that batteries are under good deep cycle discharge performance.
3. Using special electrolyte additives and separators of high adsorption capacity, the battery shows excellent high-current discharge performance. There are obvious advantages in vehicle starting and climbing .
4. It adopts high-strength ABS engineering plastic shell, make it high impact resistance.
5. Sealed and maintenance-free technology, the battery does not need to add acid and hydration during use, Safe and reliable.

[APPLICATIONS]

1. Golf carts/Tourist cars
2. Electric Bike/ Patrol cars
3. Electric vehicles, tractor, various power tools

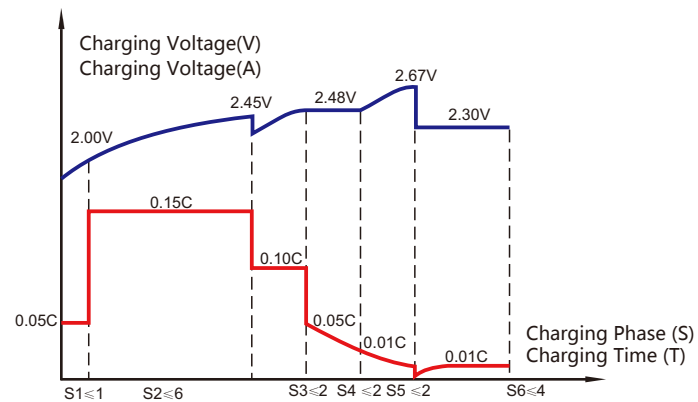


[SPECIFICATIONS]

MODEL	3hr CAPACITY (Ah)	5hr CAPACITY (Ah)	20hr CAPACITY (Ah)	VOLTAGE (V)	DIMENSION				GROSS WEIGHT (Kg)	TERMINALS DIMENSION
					LENGTH	WIDTH	HEIGHT	TOTAL HEIGHT		
3-EVF-300	300	344	440	6	295	178	346	351	54	M8* Φ20 *5

[CHARGING CHARACTERISTICS]

Charging Method	Charging Current (A)	Charging Voltage (V)	Charging Time (h)	Notes
Constant Current	15	6	≈ 1	Voltage up to 6V or Charging time up to 1H
Constant Current	45	7.35	≈ 6	Voltage up to 7.35V or Charging time up to 6H
Constant Current	30	7.45	≈ 2	Voltage up to 7.45V or Charging time up to 2H
Constant Voltage	15	7.45	≈ 2	Voltage up to 7.45V or Charging time up to 2H
Constant Voltage	≤ 3	8.01	≈ 2	Charging time up to 2H
Constant Voltage	≤ 3	6.9	≈ 4	Charging time up to 4H



Note: The charging voltage values listed in the table are the voltages of a single battery at a standard temperature of 25 °C
The temperature compensation coefficient is ±3mV/°C



YINGDE AOKLY POWER CO., LTD
 FACTORY: Huaqiao Industrial Zone, Donghua Town, Yingde City,
 Guangdong Province, China
<http://www.aokly-battery.com>

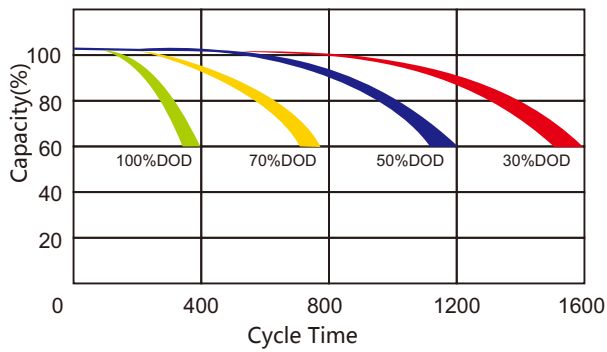
Aokly Power Driving The Bright Future



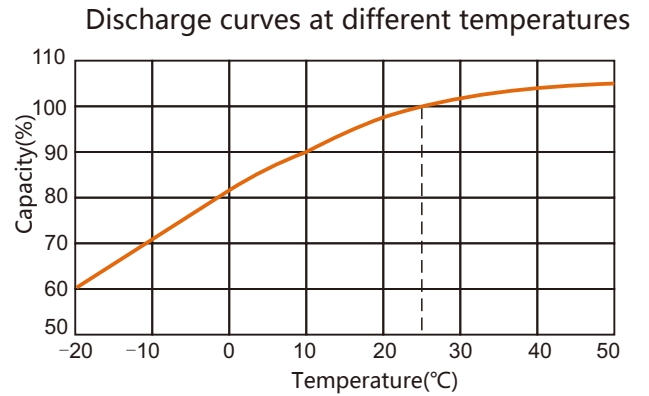
3-EVF-300

EVF SERIES BATTERY

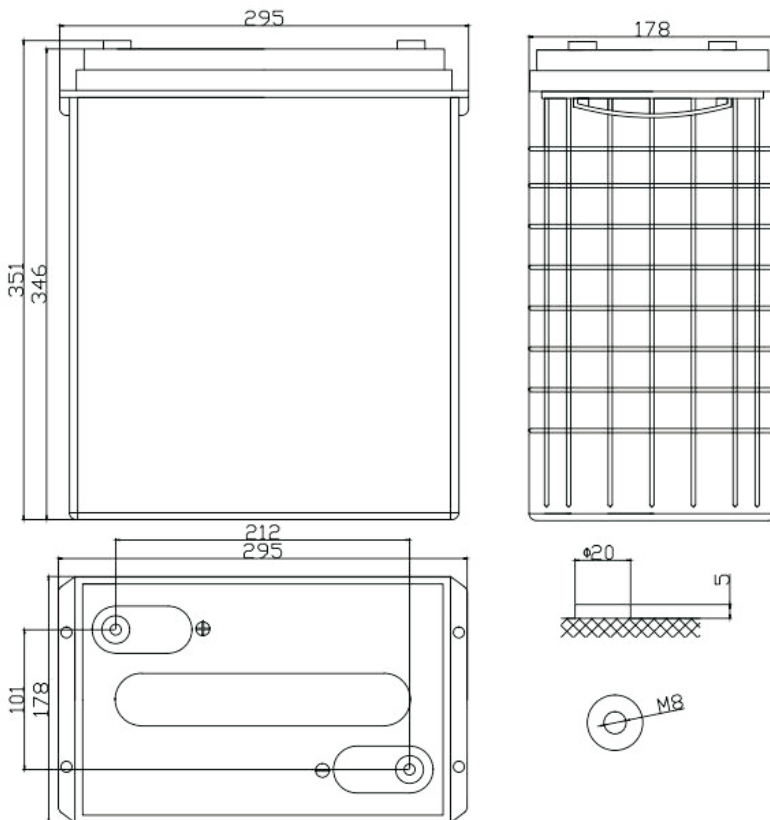
[LIFESPAN CURVES]



[DISCHARGE CHARACTERISTICS]



[DIMENSION]



Battery Dimension
terminal size



YINGDE AOKLY POWER CO., LTD
FACTORY: Huaqiao Industrial Zone, Donghua Town, Yingde City,
Guangdong Province, China
<http://www.aokly-battery.com>

Aokly Power Driving The Bright Future